

INTERFACES

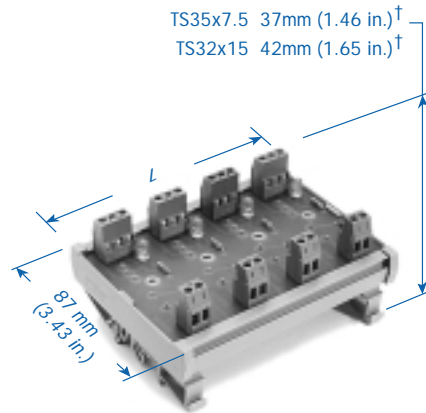
**I/O Opto Carrier
35 or 32mm DIN Rail**

Mount standard opto coupler input/output (I/O) modules in a high density arrangement for logic output to field devices, or for input of field data to the controller. I/O modules optically isolate ICs and PLCs from damaging field voltage spikes and line noise, while controlling up to 3 Amp field current with less than 20mA logic current. Altech I/O Module Carriers can accept up to 16 industry standard 0.6 in. (15.24mm) I/O modules in any combination: Input, Output, AC or DC from most manufacturers.

- Screw-Cage Clamp Connection
- Integral Sockets, Retaining Nut
- Field Voltage Rating: 280V AC/DC^a
- LED Indication, Fuse Protection
- DIN Rail Mount, Panel Mount Available

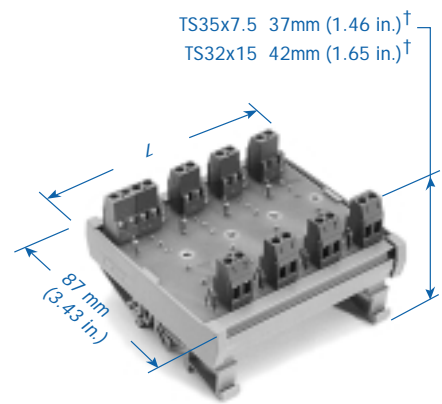
Custom designs can be accommodated!

**I/O I
Isolated**



Low current LED with dropping resistor for high resistance pull-up and low logic sink/source current requirements.

**I/O B
Bussed**



Logic status LED which uses the I/O module impedance as its dropping resistor.

Wire Range	Fuse Rating	Wire Range	Fuse Rating
22-12AWG	0.5-4mm ² 5A/125V AC ^b	22-12AWG	0.5-4mm ² 5A/125V AC ^c

Ordering Information	LED	Type	Cat. No.	Length (L) mm (in.)	Type	Cat. No.	Length (L) mm (in.)
I/O Opto Carrier, Isolated Positions							
1 Position, Logic Voltage							
5V DC	Green	I/O I-1B	8954.0/B	34.5 (1.36)			
15V DC	Yellow	I/O I-1E	8954.0/E	34.5 (1.36)			
24V DC	Red	I/O I-1G	8954.0/G	34.5 (1.36)			
2 Position, Logic Voltage							
5V DC	Green	I/O I-2B	8955.0/B	57.8 (2.28)			
15V DC	Yellow	I/O I-2E	8955.0/E	57.8 (2.28)			
24V DC	Red	I/O I-2G	8955.0/G	57.8 (2.28)			
4 Position, Logic Voltage							
5V DC	Green	I/O I-4B	8956.0/B	114 (4.49)			
15V DC	Yellow	I/O I-4E	8956.0/E	114 (4.49)			
24V DC	Red	I/O I-4G	8956.0/G	114 (4.49)			

Ordering Information	LED	Type	Cat. No.	Length (L) mm (in.)	Type	Cat. No.	Length (L) mm (in.)
I/O Opto Carrier Bussed Positions							
4 Position, Logic Voltage							
5 to 24V DC	Green				I/O B-4	8956.0	114 (4.49)
8 Position, Logic Voltage							
5 to 24V DC	Green				I/O B-8	8959.0	183 (7.20)
16 Position, Logic Voltage							
5 to 24V DC	Green				I/O B-16	8861.0	363 (14.30)
		Std. Pk.: 1			Std. Pk.: 1		

^aFuse rating limits field side rating.

- PCB Traces, Field Side : 10A/300V
- PCB Traces, Logic Side: 1A with 6A Bus
- Terminal Blocks: 15A/300V

[†]Dimension is to top board, add height of relay to determine clearance.

^b3A/250V fuse available, please consult Altech.

[†]Dimension is to top board, add height of relay to determine clearance.

^c3A/250V fuse available, please consult Altech.